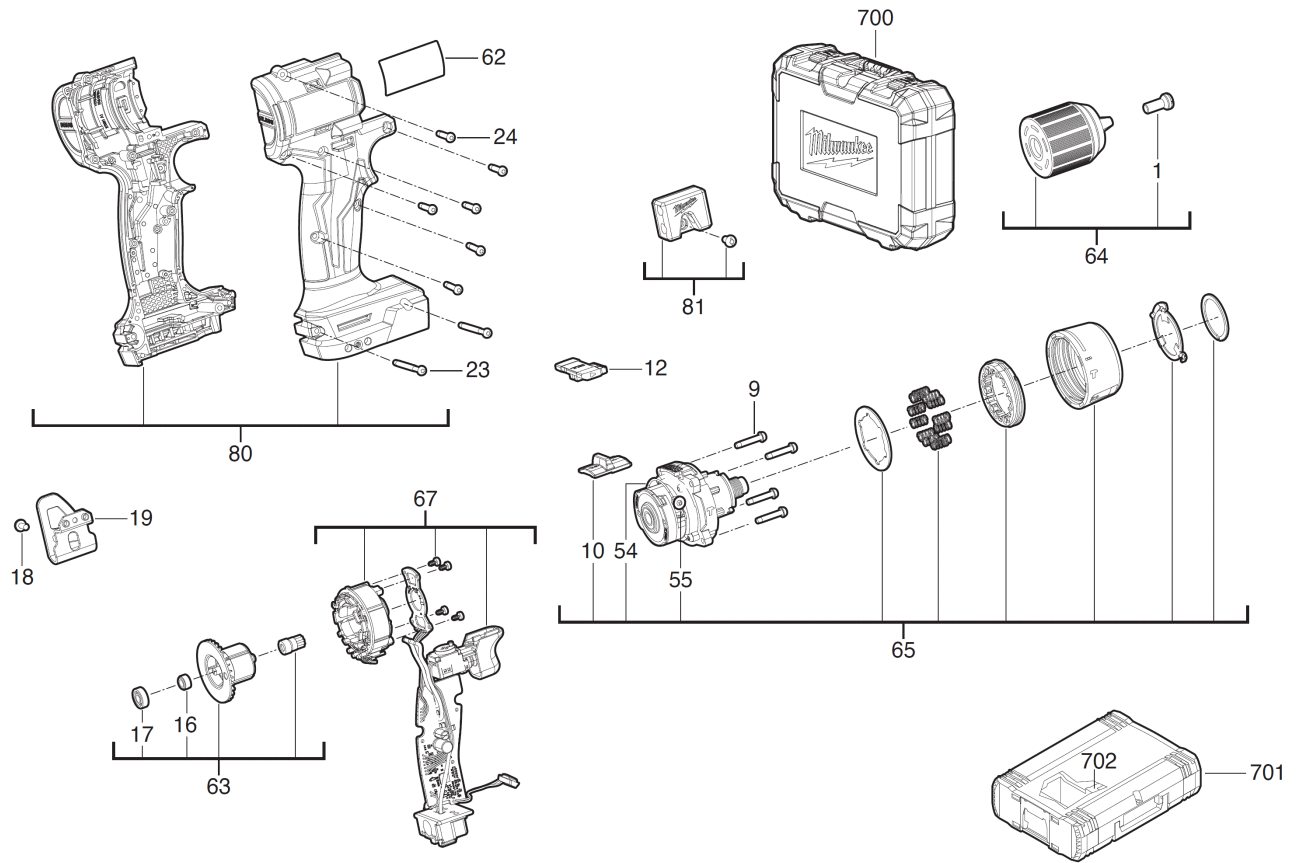


M18BLPDRC-422C COMPACT HAMMER DRILL IN2

4933492825 - M18BLPDRC-422C - 4000481746





Position	Quantity	Description	Part number	EAN
0001 1	1	SCREW	4931465497	4058546235970
0009 2	4	SCREW	4931465984	4058546272012
0010 3	1	SWITCH LEVER	4931495916	4058546495848
0012 4	1	LEVER	4931495917	4058546495855
0016 5	1	BUSHING	4931495918	4058546530556
0017 6	1	BALL BEARING	4931495839	4058546495077
0018 7	1	SCREW	4931465986	4058546272036
0019 8	1	HOOK	4931436134	4002395879427
0023 9	2	SCREW	4931454852	4058546020262
0024 10	6	SCREW	4931465499	4058546235994
0054 11	1	RACKING LEVER	4931465508	4058546236083
0055 12	2	SCREW	661262001	4002395839858
0062 13	1	RATING PLATE	4931495927	4058546530648
0063 14	1	ARMATURE	4931495920	4058546530570
0064 15	1	CHUCK	4931495921	4058546530587
0065 16	1	GEAR BOX	4931495928	4058546530655
0067 17	1	ELECTRONIC	4931495929	4058546530662
0080 18	1	HOUSING	4931495924	4058546530617
0081 19	1	BIT HOLDER	4931494824	4058546473969
0700 20	1	CARRYING CASE	4931495925	4058546530624
0702 21	1	INSERT	4931495926	4058546530631